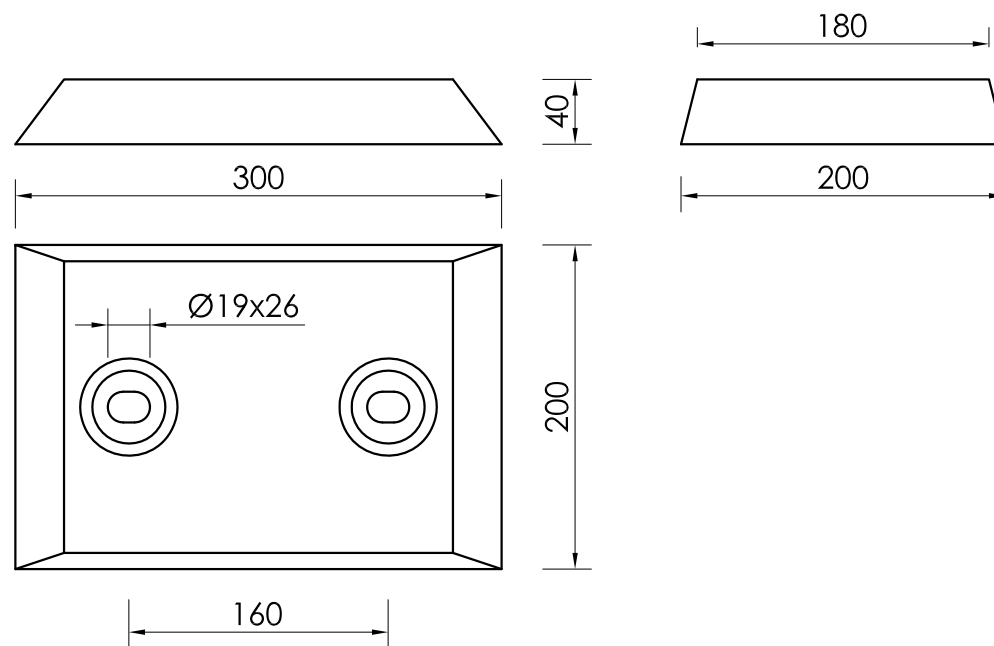


Zinc Anode KP-4

gross weight: 15,10 kg
net weight: 14,70 kg



Technical specification ZnAlCd - alloy type Z1 according to EN12496:2013 :

Alloying elements:

Al [%]: 0,10 - 0,50
Cd [%]: 0,025 - 0,07
Zn [%]: remainder

Impurities:

Fe [%]: max 0,005
Cu [%]: max 0,005
Pb [%]: max 0,006

Electrochemical efficiency min: 780 Ah/kg
acc. DNV RP B401 test appendix B

Note:

- All weights and dimensions are nominal.
- Dimensions in mm

 MAKROMOR CATHODIC PROTECTION	MAKROMOR SP. Z O.O. Ul. Gołębia 15 81-185 Gdynia, POLAND Phone: +48 58 661-57-99 Fax: +48 58 661-01-89 e-mail: biuro@makromor.pl website: www.makromor.pl		Scale:	1:5
			Insert type:	S235JR
		Alloy:	ZnAlCd	
Type:			Alternative type:	
ZINC ANODE KP-4				
Product code:			Drawing No.:	
Z151/KP/200/40/300/160/0			ZKP4/0	
Drawer:	Date:	Approved:	Date:	
Ewa Nawrocka	03-04-2019	Grzegorz Prytowski	03-04-2019	
Copyright MAKROMOR SP. Z O.O. All rights reserved.				