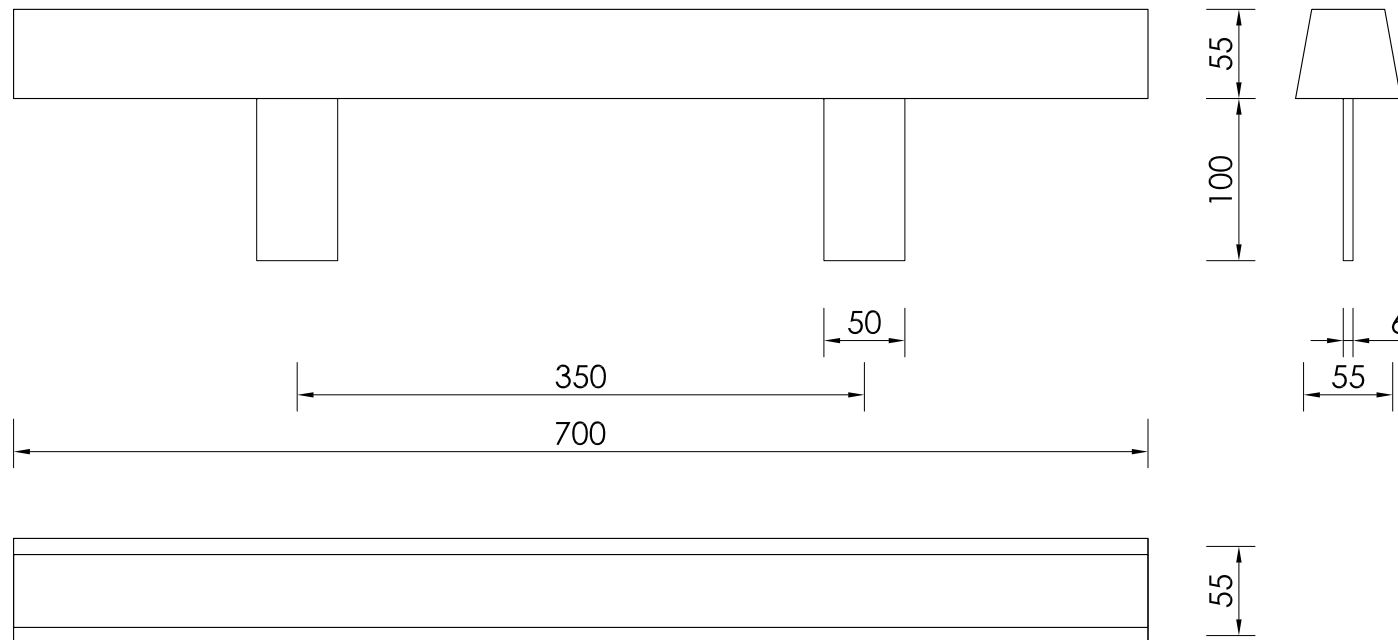


# Zinc ANODE ZT55-5

gross weight: 16,00 kg  
 nett weight: 15,20 kg



Technical specification ZnAlCd - alloy type Z1 according to EN12496:2013 :

Alloying elements:		Impurities:	
Al [%]: 0,10 - 0,50		Fe [%]:	max 0,005
Cd [%]: 0,025 - 0,07		Cu [%]:	max 0,005
Zn [%]: remainder		Pb [%]:	max 0,006

Electrochemical efficiency min: 780 Ah/kg  
 acc. DNV RP B401 test appendix B

Note:

- All weights and dimensions are nominal.
- Dimensions in mm

 <b>MAKROMOR</b> CATHODIC PROTECTION	MAKROMOR SP. Z O.O. Ul. Gołębia 15 81-185 Gdynia, POLAND Phone: +48 58 661-57-99 Fax: +48 58 661-01-89 e-mail: biuro@makromor.pl website: www.makromor.pl		Scale:	<b>1:5</b>
	Type: <b>ZINC TANK ANODE ZT55-5</b>		Insert type:	<b>S235JR</b>
Product code: Z160/Z55/55/55/700/350/0		Alloy:	<b>ZnAlCd</b>	
Drawer: Ewa Nawrocka		Date: 17-04-2013	Approved: Grzegorz Prytowski	Alternative type:
Date: 17-04-2013		Date: 18-04-2013		Drawing No.:
Copyright MAKROMOR SP. Z O.O. All rights reserved.		Drawing No.: <b>ZT55/0</b>		