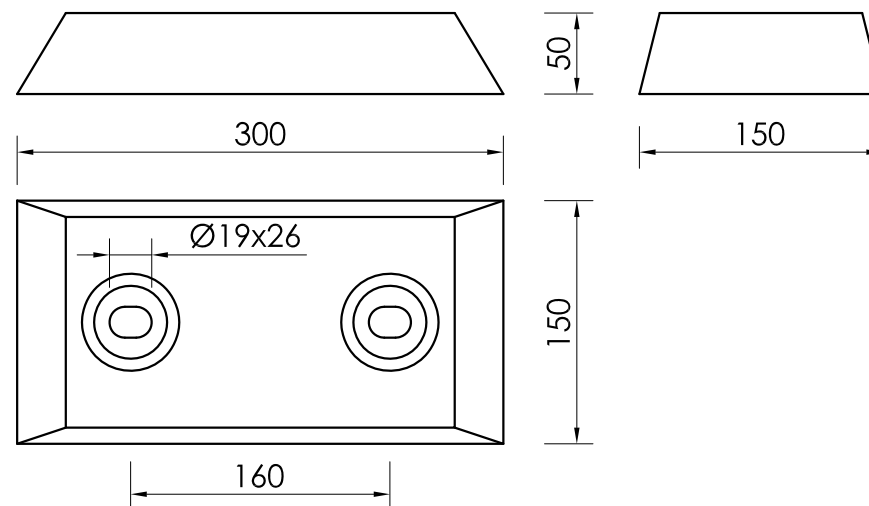


# Zinc Anode KP-3

gross weight: 14,10 kg  
net weight: 13,60 kg



Technical specification ZnAlCd - alloy type Z1 according to EN12496:2013 :

Alloying elements:

Al [%]: 0,10 - 0,50  
Cd [%]: 0,025 - 0,07  
Zn [%]: remainder

Impurities:

Fe [%]: max 0,005  
Cu [%]: max 0,005  
Pb [%]: max 0,006

Electrochemical efficiency min: 780 Ah/kg  
acc. DNV RP B401 test appendix B

Note:

- All weights and dimensions are nominal.
- Dimensions in mm

 <b>MAKROMOR</b> CATHODIC PROTECTION	MAKROMOR SP. Z O.O. Ul. Gołębia 15 81-185 Gdynia, POLAND Phone: +48 58 661-57-99 Fax: +48 58 661-01-89 e-mail: biuro@makromor.pl website: www.makromor.pl		Scale:	<b>1:5</b>
			Insert type:	<b>S235JR</b>
		Alloy:	<b>ZnAlCd</b>	
Type: <b>ZINC ANODE KP-3</b>			Alternative type:	
Product code: A141/KP/150/50/300/160/0			Drawing No.: <b>ZKP3/0</b>	
Drawer: Ewa Nawrocka	Date: 03-04-2019	Approved: Grzegorz Prytowski	Date: 03-04-2019	
Copyright MAKROMOR SP. Z O.O. All rights reserved.				