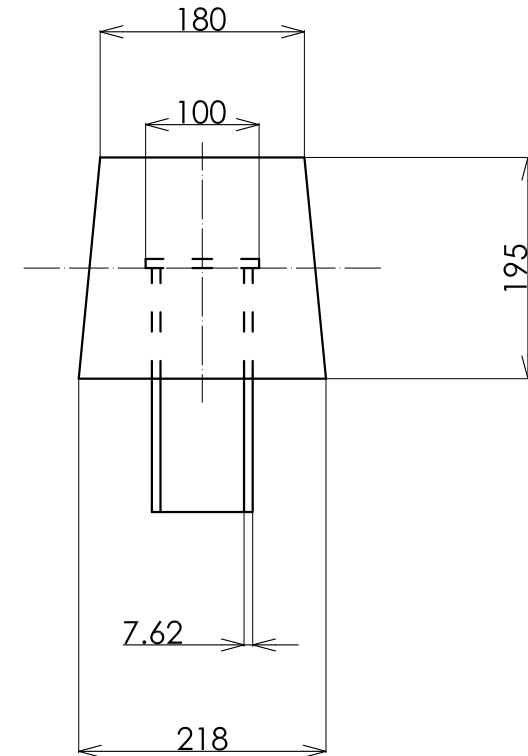
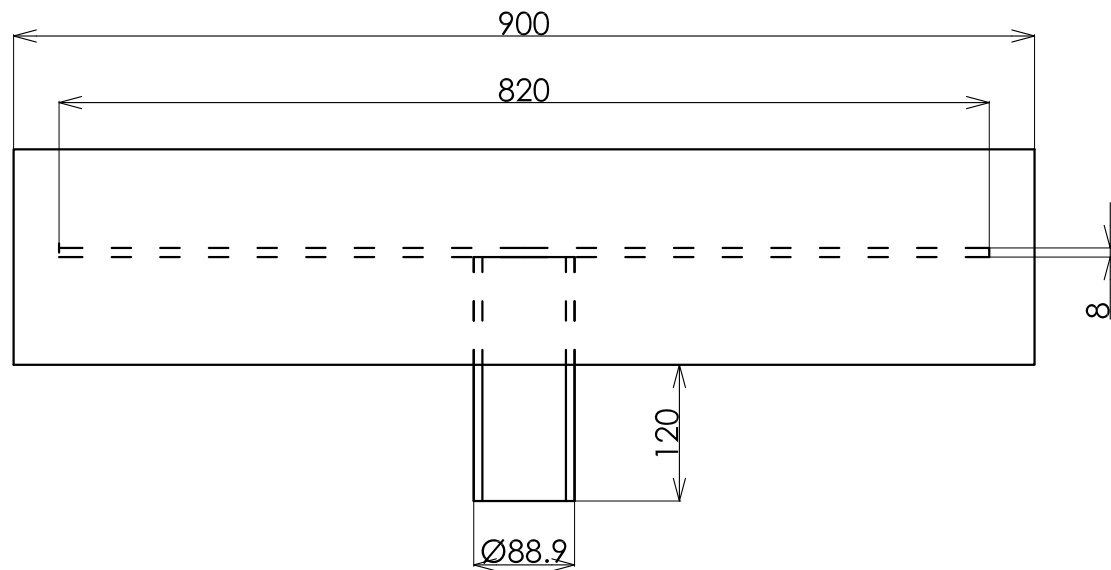


# Aluminium anode A-9660

gross weight: 96,60 kg  
net weight: 90,00 kg



## Technical specification AlZnIn:

### Alloying elements:

Zn [%]: 2,5 - 5,75

In [%]: 0,015 - 0,040

Al - balance

### Impurities:

Fe [%]: 0,09 max

Si [%]: 0,12 max

Cu [%]: 0,003 max

Cd [%]: 0,002 max

The alloy chemical composition shall be tested using a Q4 Tasman spectrometer, serial number OES3829

Electrochemical efficiency min: 2500 Ah/kg  
acc. DNV RP B401 test A

### Note:

- All weights and dimensions are nominal.
- Dimensions in mm
- Spacing between anode bottom and protected structure (120mm on drawing above) subject to further agreement

 <b>MAKROMOR</b> CATHODIC PROTECTION	MAKROMOR SP. Z O.O. Ul. Golebia 15 81-185 Gdynia, POLAND Phone: +48 58 661-57-99 Fax: +48 58 661-01-89 e-mail: biuro@makromor.pl website: www.makromor.pl	Scale:	<b>1:5</b>
		Insert material: <b>S355JR flat bar, ASTM A106 Grade "B" pipe</b>	Alloy:
Type:	<b>ALUMINIUM ANODE A-9660</b>	Alternative type:	
Product code:	<b>A9660/A-9660/218/195/900/820/0</b>	Drawing No.:	<b>A-9660/1</b>
Drawer:	Łukasz Stabek	Date:	03-06-2014
Checked:	Grzegorz Pryłowski	Date:	
Copyright MAKROMOR SP. Z O.O. All rights reserved.			