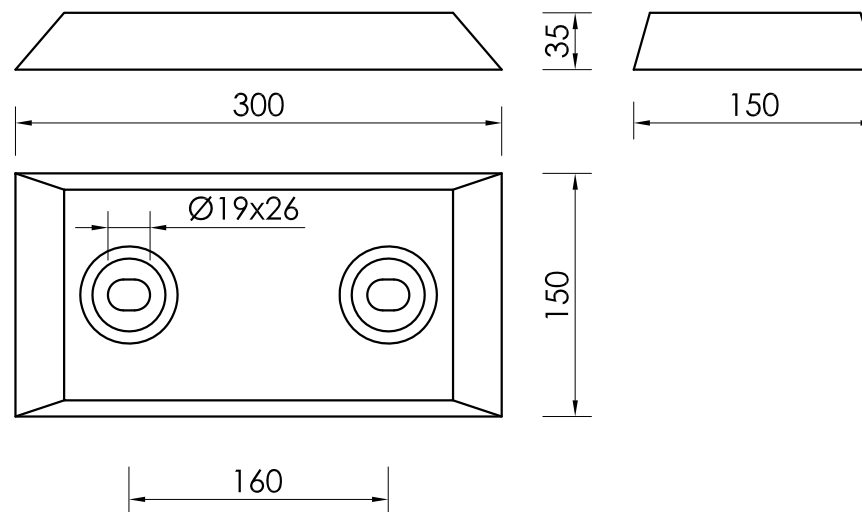


Zinc Anode KP-1

gross weight: 9,30 kg
net weight: 9,00 kg



Technical specification ZnAlCd - alloy type Z1 according to EN12496:2013 :

Alloying elements:		Impurities:	
Al [%]: 0,10 - 0,50	Fe [%]: max 0,005	Cu [%]: max 0,005	Pb [%]: max 0,006
Cd [%]: 0,025 - 0,07			
Zn [%]: remainder			

Electrochemical efficiency min: 780 Ah/kg
acc. DNV RP B401 test appendix B

Note:

- All weights and dimensions are nominal.
- Dimensions in mm

 MAKROMOR CATHODIC PROTECTION	MAKROMOR SP. Z O.O. Ul. Gołębia 15 81-185 Gdynia, POLAND Phone: +48 58 661-57-99 Fax: +48 58 661-01-89 e-mail: biuro@makromor.pl website: www.makromor.pl		Scale:	1:5
	Type: ZINC ANODE KP-1		Insert type:	S235JR
Product code: A930/KP/150/35/300/160/0		Alloy:	ZnAlCd	
Drawer: Ewa Nawrocka		Date: 03-04-2019	Approved: Grzegorz Prytowski	Alternative type:
Date: 03-04-2019		Drawing No.:		ZKP1/0
Copyright MAKROMOR SP. Z O.O. All rights reserved.				