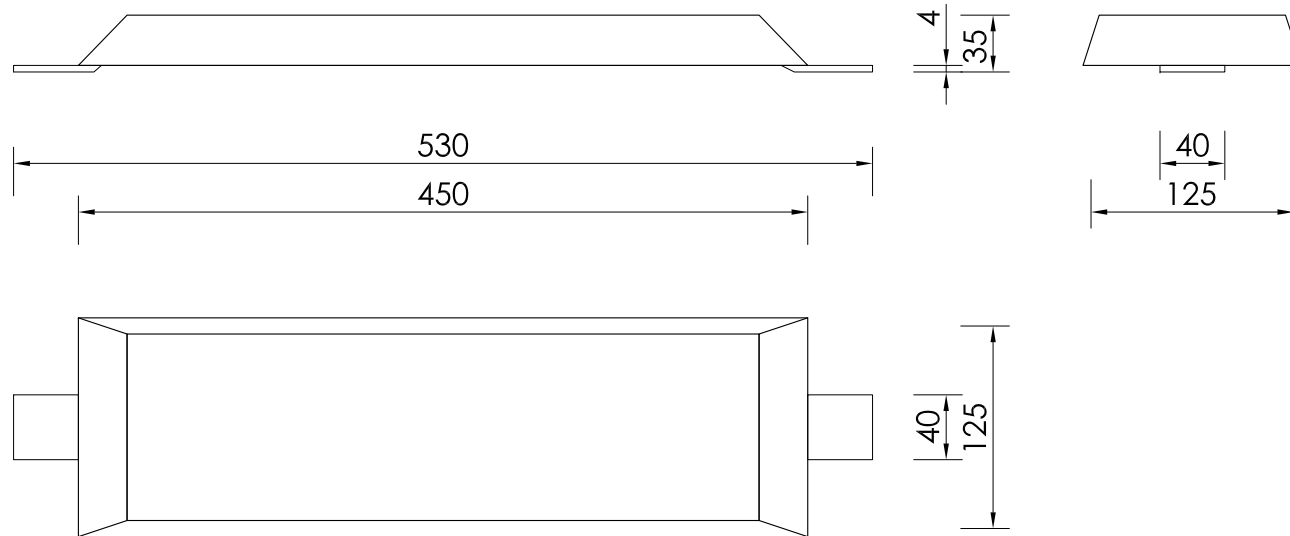


Aluminium ANODE K5-2

gross weight: 5,00 kg
nett weight: 4,30 kg



Technical specification AlZnIn - alloy type A2 according to EN12496:2013 :

Alloying elements:	Impurities:
Zn [%]: 3,0 - 5,5	Fe [%]: max 0,09
In [%]: 0,016 - 0,040	Cu [%]: max 0,005
Al - balance	Si [%]: max 0,10

Electrochemical efficiency min: 2500 Ah/kg
according to DNV RP B401 test appendix B

Note:

- All weights and dimensions are nominal.
- Dimensions in mm

 MAKROMOR CATHODIC PROTECTION	MAKROMOR SP. Z O.O. Ul. Gołębia 15 81-185 Gdynia, POLAND Phone: +48 58 661-57-99 Fax: +48 58 661-01-89 e-mail: biuro@makromor.pl website: www.makromor.pl	Scale:	1:5
		Insert type:	S235JR
Type:		Alloy:	AlZnIn
ALUMINIUM HULL ANODE K5-2		Alternative type:	
Product code: A50/K5/125/35/450/530/0		Drawing No.:	AK52/0
Drawer: Ewa Nawrocka	Date: 16-04-2013	Approved: Grzegorz Pryłowski	Date: 17-04-2013
Copyright MAKROMOR SP. Z O.O. All rights reserved.			