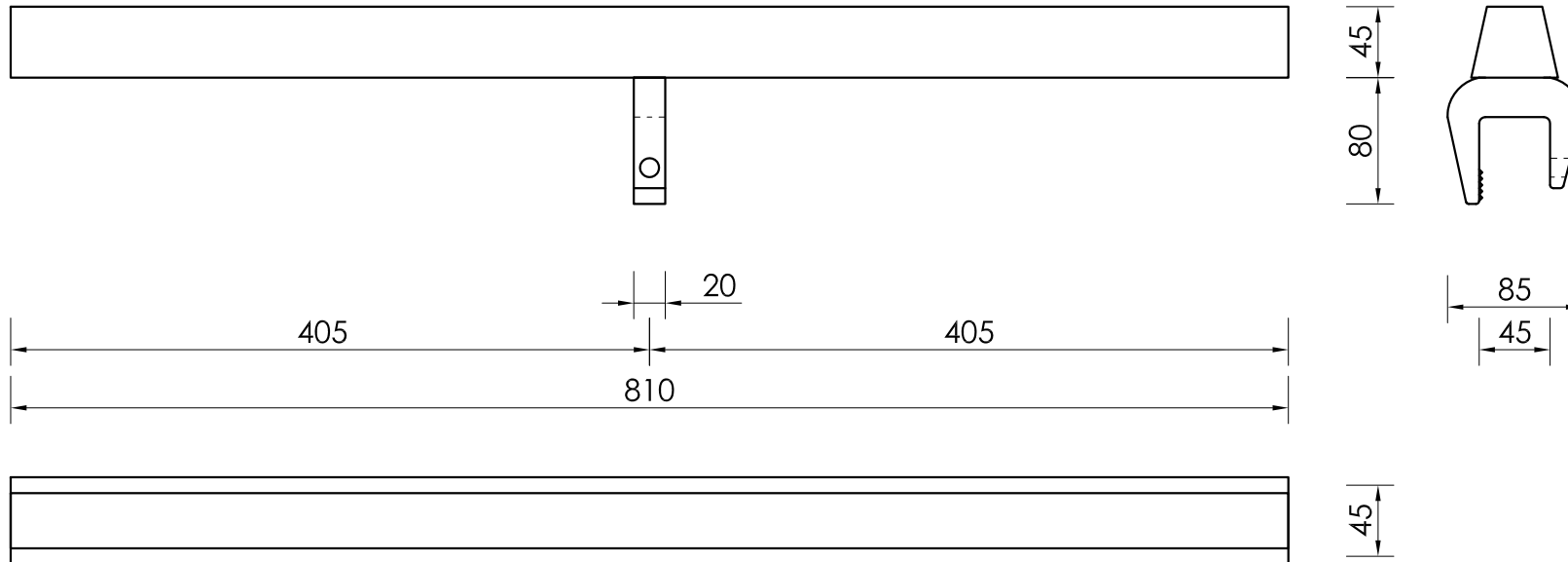


Aluminium ANODE ZC45-2/1

gross weight: 5,80 kg
nett weight: 4,50 kg



Technical specification AlZnIn - alloy type A2 according to EN12496:2013 :

| | | | |
|--------------------|---------------|-------------|-----------|
| Alloying elements: | | Impurities: | |
| Zn [%]: | 3,0 - 5,5 | Fe [%]: | max 0,09 |
| In [%]: | 0,016 - 0,040 | Cu [%]: | max 0,005 |
| Al - | balance | Si [%]: | max 0,10 |

Electrochemical efficiency min: 2500 Ah/kg
according to DNV RP B401 test appendix B

Note:

- All weights and dimensions are nominal.
- Dimensions in mm

| | | | |
|--|---|---------------------------------|---------------------|
|  MAKROMOR CATHODIC PROTECTION | MAKROMOR SP. Z O.O. Ul. Gołębia 15 81-185 Gdynia, POLAND Phone: +48 58 661-57-99 Fax: +48 58 661-01-89 e-mail: biuro@makromor.pl website: www.makromor.pl | Scale: | 1:5 |
| | | Insert type: | S235JR |
| | | Alloy: | AlZnIn |
| Type: ALUMINIUM TANK ANODE ZC45-2.1 | | Alternative type: | |
| Product code: A58/ZC45/45/45/810/405/1 | | Drawing No.: AZC452/1 | |
| Drawer: Ewa Nawrocka | Date: 17-04-2013 | Approved: Grzegorz Pryłowski | Date: 18-04-2013 |
| Copyright MAKROMOR SP. Z O.O. All rights reserved. | | | |