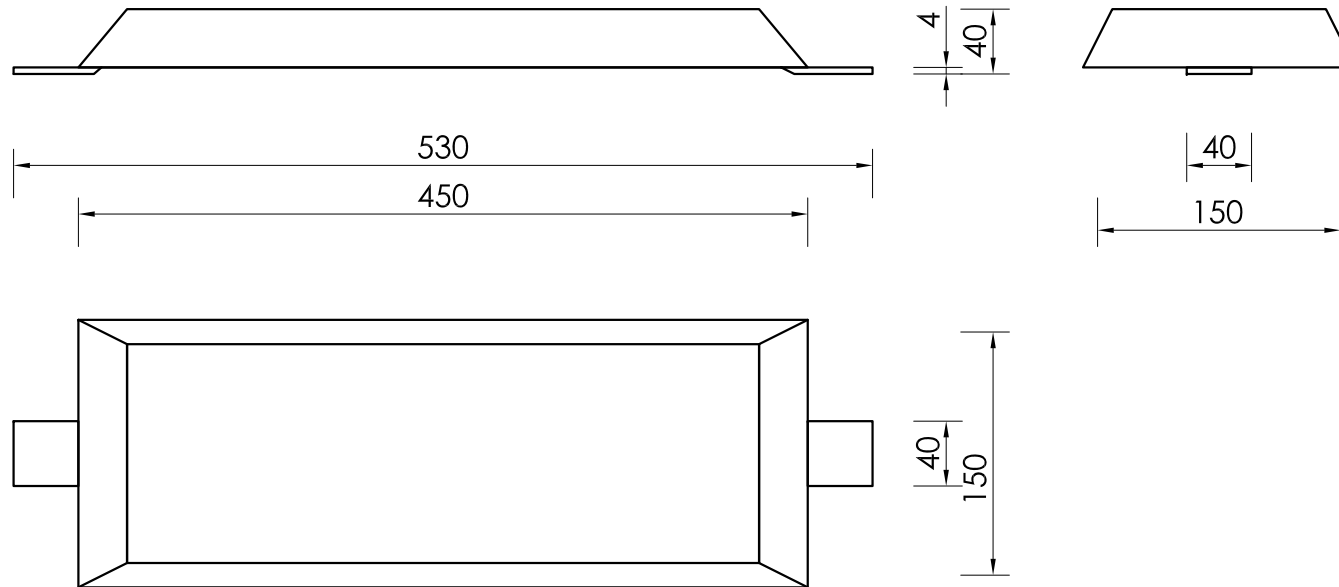


# Aluminium ANODE K6-3

gross weight: 7,50 kg  
nett weight: 6,80 kg



Technical specification AlZnIn - alloy type A2 according to EN12496:2013 :

Alloying elements:		Impurities:	
Zn [%]:	3,0 - 5,5	Fe [%]:	max 0,09
In [%]:	0,016 - 0,040	Cu [%]:	max 0,005
Al -	balance	Si [%]:	max 0,10

Electrochemical efficiency min: 2500 Ah/kg  
according to DNV RP B401 test appendix B

Note:

- All weights and dimensions are nominal.
- Dimensions in mm

 <b>MAKROMOR</b> CATHODIC PROTECTION	MAKROMOR SP. Z O.O. Ul. Gołębia 15 81-185 Gdynia, POLAND Phone: +48 58 661-57-99 Fax: +48 58 661-01-89 e-mail: biuro@makromor.pl website: www.makromor.pl		Scale:	<b>1:5</b>
	Type: <b>ALUMINIUM HULL ANODE K6-3</b>		Insert type:	<b>S235JR</b>
Product code: <b>A75/K6/150/40/450/530/0</b>		Alloy:	<b>AlZnIn</b>	
Drawer: Ewa Nawrocka		Date: 17-04-2013	Approved: Grzegorz Pryłowski	Alternative type:
Date: 17-04-2013		Drawing No.:		<b>AK63/0</b>
Date: 18-04-2013		Copyright MAKROMOR SP. Z O.O. All rights reserved.		