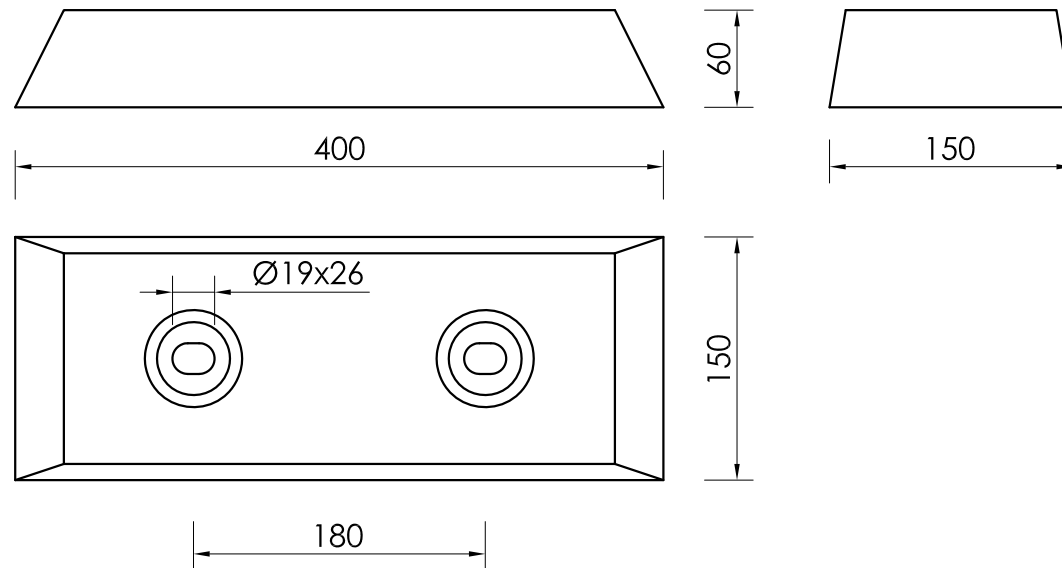


Aluminium ANODE KP-5

gross weight: 9,30 kg
nett weight: 8,90 kg



Technical specification AlZnIn - alloy type A2 according to EN12496:2013 :

| | | | |
|--------------------|---------------|-------------|-----------|
| Alloying elements: | | Impurities: | |
| Zn [%]: | 3,0 - 5,5 | Fe [%]: | max 0,09 |
| In [%]: | 0,016 - 0,040 | Cu [%]: | max 0,005 |
| Al - | balance | Si [%]: | max 0,10 |

Electrochemical efficiency min: 2500 Ah/kg
according to DNV RP B401 test appendix B

Note:

- All weights and dimensions are nominal.
- Dimensions in mm

| | | | |
|--|---|--------------------|---------------|
|  MAKROMOR CATHODIC PROTECTION | MAKROMOR SP. Z O.O. Ul. Gołębia 15 81-185 Gdynia, POLAND Phone: +48 58 661-57-99 Fax: +48 58 661-01-89 e-mail: biuro@makromor.pl website: www.makromor.pl | Scale: | 1:5 |
| | | Insert type: | S235JR |
| | | Alloy: | AlZnIn |
| Type: | | Alternative type: | |
| ALUMINIUM TANK ANODE KP-5 | | | |
| Product code: | | Drawing No.: | |
| A93/KP/150/60/400/180/0 | | AKP5/0 | |
| Drawer: | Date: | Approved: | Date: |
| Ewa Nawrocka | 17-04-2013 | Grzegorz Prytowski | 18-04-2013 |
| Copyright MAKROMOR SP. Z O.O. All rights reserved. | | | |