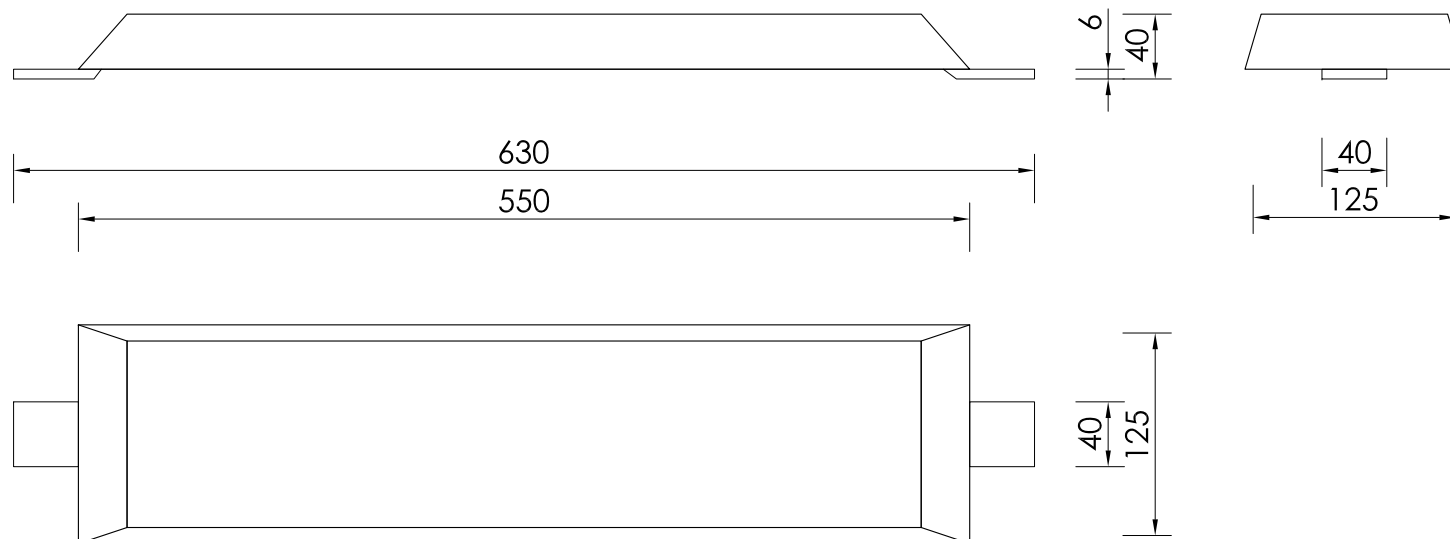


Zinc ANODE K5-3

gross weight: 16,00 kg

nett weight: 14,80 kg



Technical specification ZnAlCd - alloy type Z1 according to EN12496:2013 :

Alloying elements:

Al [%]: 0,10 - 0,50

Cd [%]: 0,025 - 0,07

Zn [%]: remainder

Impurities:

Fe [%]: max 0,005

Cu [%]: max 0,005

Pb [%]: max 0,006

Electrochemical efficiency min: 780 Ah/kg
according to DNV RP B401 test appendix B

Note:

- All weights and dimensions are nominal.

- Dimensions in mm

 MAKROMOR CATHODIC PROTECTION	MAKROMOR SP. Z O.O. Ul. Gołębia 15 81-185 Gdynia, POLAND Phone: +48 58 661-57-99 Fax: +48 58 661-01-89 e-mail: biuro@makromor.pl website: www.makromor.pl		Scale:	1:5
	Type: ZINC HULL ANODE K5-3		Insert type:	S235JR
Product code: Z160/K5/125/40/550/630/0		Alloy:	ZnAlCd	
Drawer: Ewa Nawrocka		Date: 16-04-2013	Approved: Grzegorz Prytowski	Alternative type:
Date: 16-04-2013		Date: 17-04-2013		Drawing No.:
Date: 17-04-2013		Date: 17-04-2013		
Copyright MAKROMOR SP. Z O.O. All rights reserved.				