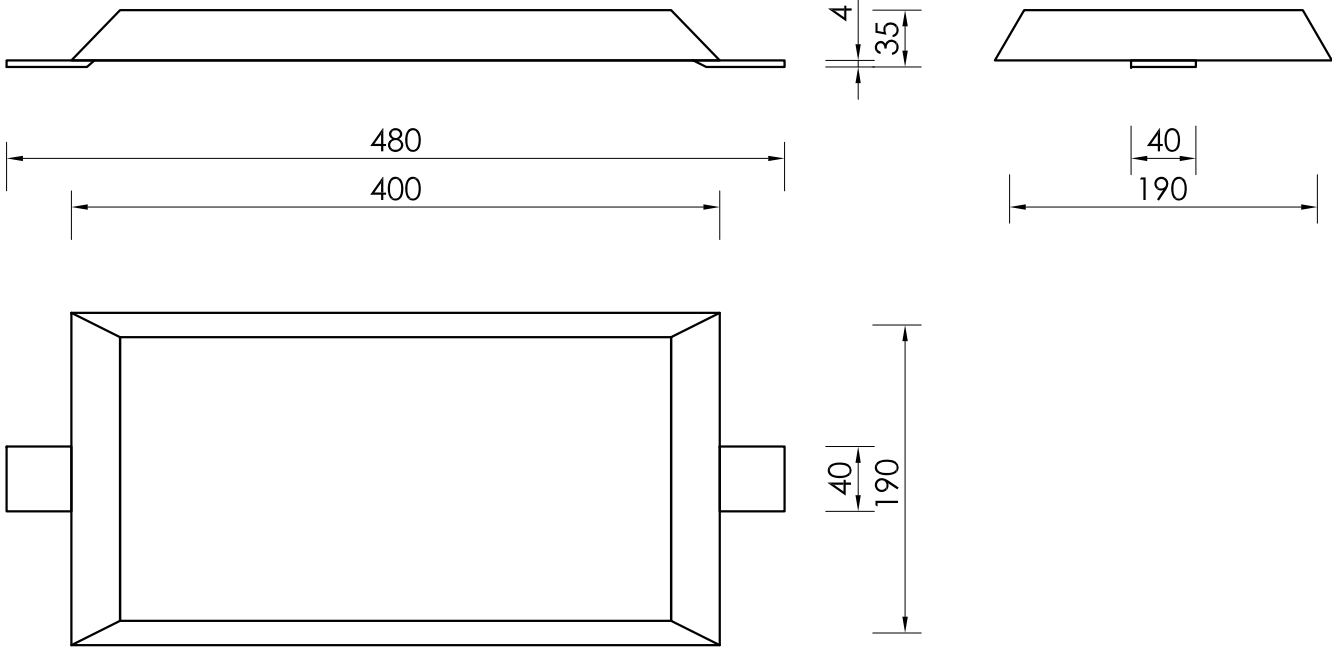


# Aluminium ANODE K7-1

gross weight: 7,50 kg  
 nett weight: 6,90 kg



Technical specification AlZnIn - alloy type A2 according to EN12496:2013 :

Alloying elements:		Impurities:	
Zn [%]:	3,0 - 5,5	Fe [%]:	max 0,09
In [%]:	0,016 - 0,040	Cu [%]:	max 0,005
Al -	balance	Si [%]:	max 0,10

Electrochemical efficiency min: 2500 Ah/kg  
 according to DNV RP B401 test appendix B

Note:  
 - All weights and dimensions are nominal.  
 - Dimensions in mm

 <b>MAKROMOR</b> CATHODIC PROTECTION	MAKROMOR SP. Z O.O. Ul. Gołębia 15 81-185 Gdynia, POLAND Phone: +48 58 661-57-99 Fax: +48 58 661-01-89 e-mail: biuro@makromor.pl website: www.makromor.pl		Scale:	<b>1:5</b>
			Insert type:	<b>S235JR</b>
		Alloy:	<b>AlZnIn</b>	
Type:		<b>ALUMINIUM HULL ANODE K7-1</b>		Alternative type:
Product code:		<b>A75/K7/190/35/400/480/0</b>		Drawing No.:
		<b>AK71/0</b>		
Drawer:	Date:	Approved:	Date:	
Ewa Nawrocka	17-04-2013	Grzegorz Pryłowski	18-04-2013	
Copyright MAKROMOR SP. Z O.O. All rights reserved.				