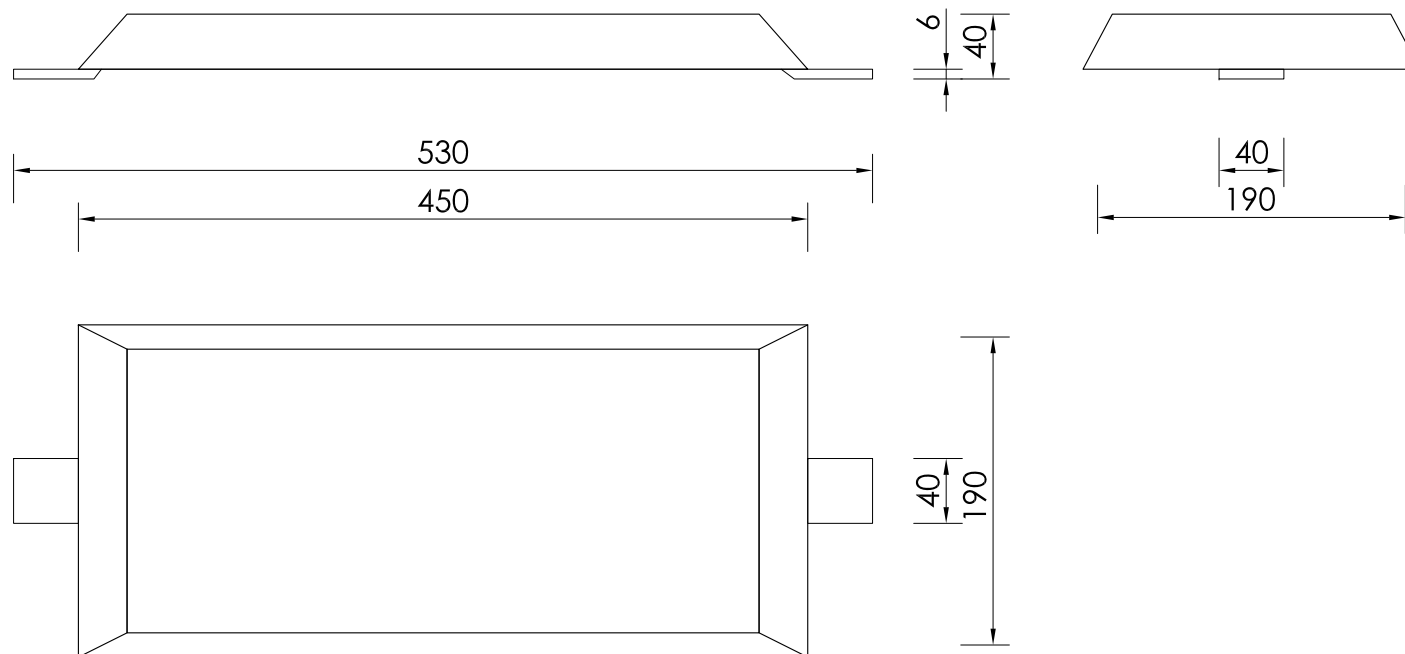


Zinc ANODE K7-2

gross weight: 26,50 kg

nett weight: 25,50 kg



Technical specification ZnAlCd - alloy type Z1 according to EN12496:2013 :

Alloying elements:

Al [%]: 0,10 - 0,50

Cd [%]: 0,025 - 0,07

Zn [%]: remainder

Impurities:

Fe [%]: max 0,005

Cu [%]: max 0,005

Pb [%]: max 0,006

Electrochemical efficiency min: 780 Ah/kg
according to DNV RP B401 test appendix B

Note:

- All weights and dimensions are nominal.
- Dimensions in mm

 MAKROMOR CATHODIC PROTECTION	MAKROMOR SP. Z O.O. Ul. Gołębia 15 81-185 Gdynia, POLAND Phone: +48 58 661-57-99 Fax: +48 58 661-01-89 e-mail: biuro@makromor.pl website: www.makromor.pl	Scale:	1:5
		Insert type:	S235JR
		Alloy:	ZnAlCd
Type: ZINC HULL ANODE K7-2		Alternative type:	
Product code: Z265/K7/190/40/450/530/0		Drawing No.: ZK72/0	
Drawer: Ewa Nawrocka	Date: 17-04-2013	Approved: Grzegorz Pryłowski	Date: 18-04-2013
Copyright MAKROMOR SP. Z O.O. All rights reserved.			