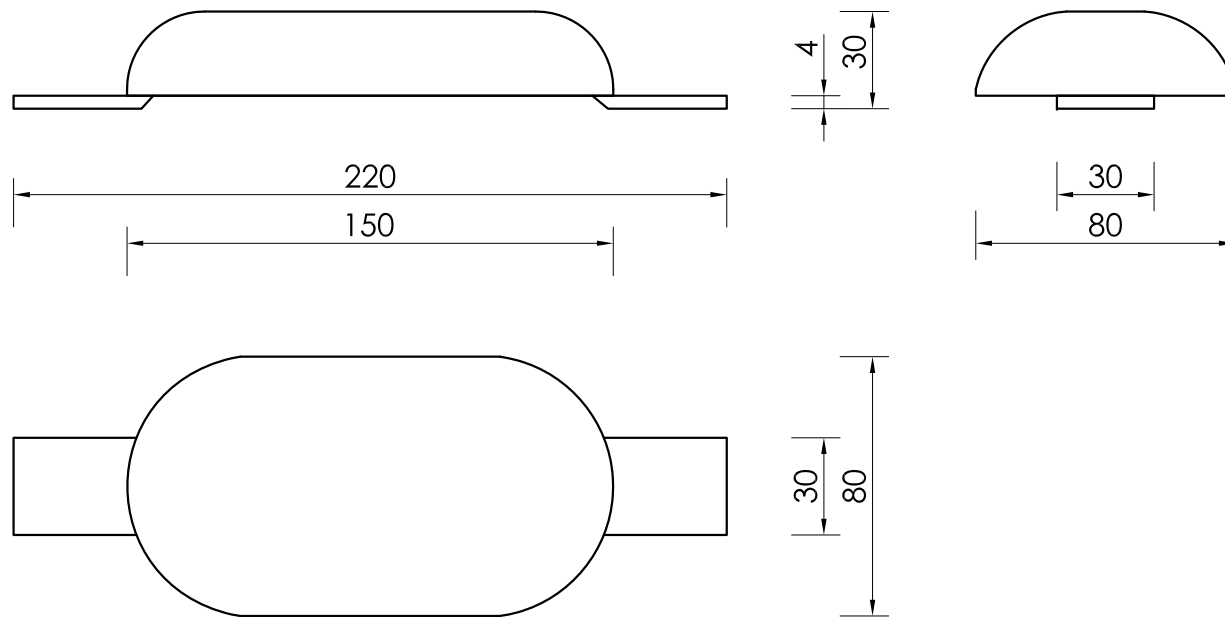


Aluminium ANODE K3-2

gross weight: 1,00 kg
nett weight: 0,80 kg



Technical specification AlZnIn - alloy type A2 according to EN12496:2013 :

Alloying elements:		Impurities:	
Zn [%]:	3,0 - 5,5	Fe [%]:	max 0,09
In [%]:	0,016 - 0,040	Cu [%]:	max 0,005
Al -	balance	Si [%]:	max 0,10

Electrochemical efficiency min: 2500 Ah/kg
according to DNV RP B401 test appendix B

Note:

- All weights and dimensions are nominal.
- Dimensions in mm

 MAKROMOR CATHODIC PROTECTION	MAKROMOR SP. Z O.O. Ul. Gołębia 15 81-185 Gdynia, POLAND Phone: +48 58 661-57-99 Fax: +48 58 661-01-89 e-mail: biuro@makromor.pl website: www.makromor.pl	Scale:	1:2,5
		Insert type:	S235JR
Type: ALUMINIUM HULL ANODE K3-2		Alloy:	AlZnIn
Product code: A10/K3/80/30/150/220/0		Alternative type:	
Drawer: Ewa Nawrocka		Date: 15-04-2013	Drawing No.: AK32/0
Approved: Grzegorz Pryłowski		Date: 16-04-2013	
Copyright MAKROMOR SP. Z O.O. All rights reserved.			