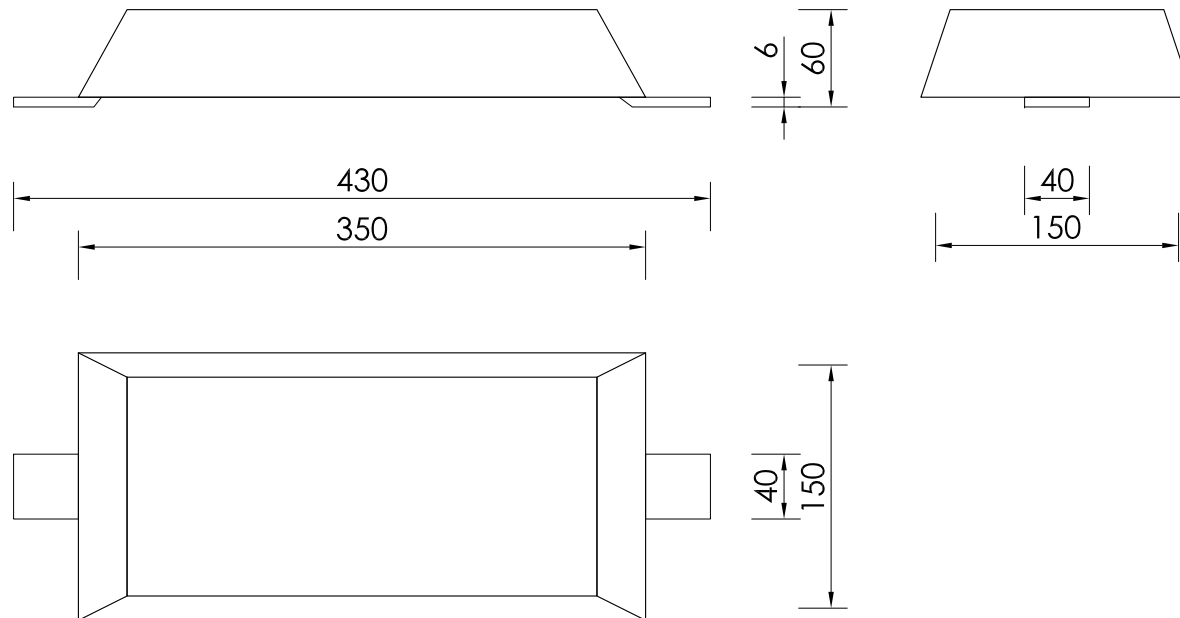


Zinc ANODE K6-1

gross weight: 22,50 kg
nett weight: 21,70 kg



Technical specification ZnAlCd - alloy type Z1 according to EN12496:2013 :

Alloying elements:		Impurities:	
Al [%]:	0,10 - 0,50	Fe [%]:	max 0,005
Cd [%]:	0,025 - 0,07	Cu [%]:	max 0,005
Zn [%]:	remainder	Pb [%]:	max 0,006

Electrochemical efficiency min: 780 Ah/kg
according to DNV RP B401 test appendix B

Note:

- All weights and dimensions are nominal.
- Dimensions in mm

 MAKROMOR CATHODIC PROTECTION	MAKROMOR SP. Z O.O. Ul. Gołębia 15 81-185 Gdynia, POLAND Phone: +48 58 661-57-99 Fax: +48 58 661-01-89 e-mail: biuro@makromor.pl website: www.makromor.pl	Scale:	1:5
		Insert type:	S235JR
Type: ZINC HULL ANODE K6-1		Alloy:	ZnAlCd
Product code: Z225/K6/150/60/350/430/0		Alternative type:	
Drawer: Ewa Nawrocka		Date: 17-04-2013	Drawing No.: ZK61/0
Approved: Grzegorz Pryłowski		Date: 18-04-2013	
Copyright MAKROMOR SP. Z O.O. All rights reserved.			