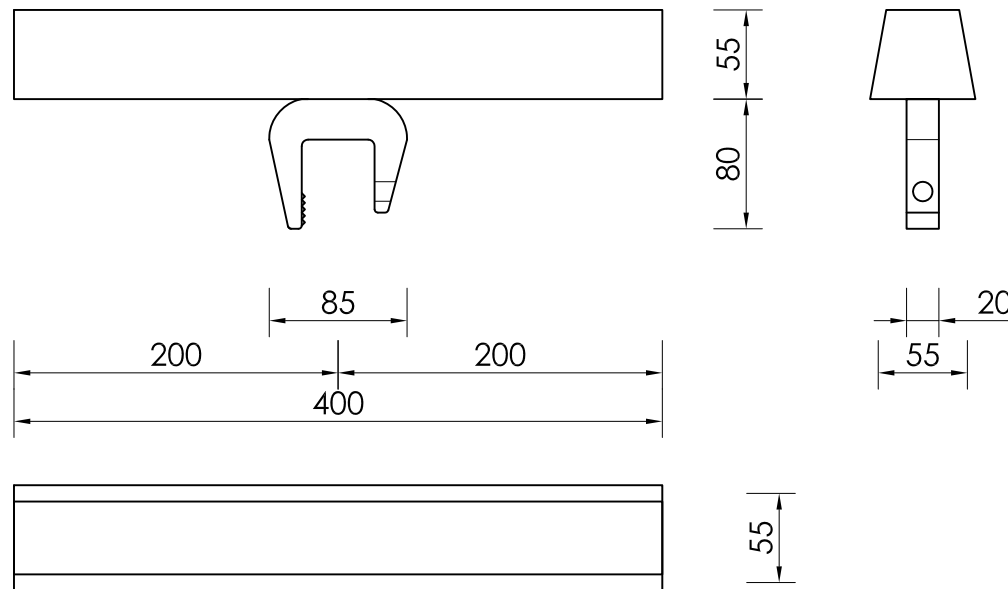


# Aluminium ANODE ZC55-1

gross weight: 4,30 kg  
nett weight: 3,40 kg



Technical specification AlZnIn - alloy type A2 according to EN12496:2013 :

Alloying elements:		Impurities:	
Zn [%]:	3,0 - 5,5	Fe [%]:	max 0,09
In [%]:	0,016 - 0,040	Cu [%]:	max 0,005
Al -	balance	Si [%]:	max 0,10

Electrochemical efficiency min: 2500 Ah/kg  
according to DNV RP B401 test appendix B

Note:

- All weights and dimensions are nominal.
- Dimensions in mm

 <b>MAKROMOR</b> CATHODIC PROTECTION	MAKROMOR SP. Z O.O. Ul. Gołębia 15 81-185 Gdynia, POLAND Phone: +48 58 661-57-99 Fax: +48 58 661-01-89 e-mail: biuro@makromor.pl website: www.makromor.pl	Scale:	<b>1:5</b>
		Insert type:	<b>S235JR</b>
		Alloy:	<b>AlZnIn</b>
Type:		Alternative type:	
<b>ALUMINIUM TANK ANODE ZC55-1</b>			
Product code:		Drawing No.:	
<b>A43/ZC55/55/55/400/200/0</b>		<b>AZC551/0</b>	
Drawer:	Date:	Approved:	Date:
Ewa Nawrocka	17-04-2013	Grzegorz Prytowski	18-04-2013
Copyright MAKROMOR SP. Z O.O. All rights reserved.			