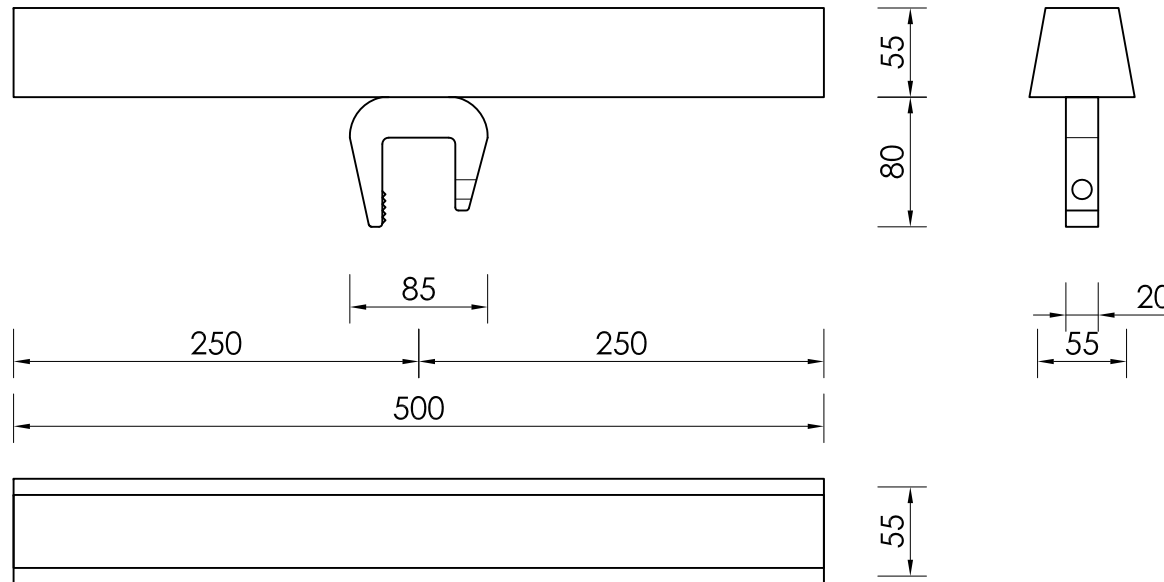


Aluminium ANODE ZC55-3

gross weight: 5,30 kg
 nett weight: 4,30 kg



Technical specification AlZnIn - alloy type A2 according to EN12496:2013 :

Alloying elements:

Zn [%]: 3,0 - 5,5
 In [%]: 0,016 - 0,040
 Al - balance

Impurities:

Fe [%]: max 0,09
 Cu [%]: max 0,005
 Si [%]: max 0,10

Electrochemical efficiency min: 2500 Ah/kg
 according to DNV RP B401 test appendix B

Note:

- All weights and dimensions are nominal.
- Dimensions in mm

 MAKROMOR CATHODIC PROTECTION	MAKROMOR SP. Z O.O. Ul. Gołębia 15 81-185 Gdynia, POLAND Phone: +48 58 661-57-99 Fax: +48 58 661-01-89 e-mail: biuro@makromor.pl website: www.makromor.pl		Scale:	1:5
			Insert type:	S235JR
		Alloy:	AlZnIn	
Type:		Alternative type:		
ALUMINIUM TANK ANODE ZC55-3				
Product code:		Drawing No.:		
A53/ZC55/55/55/500/250/0		AZC553/0		
Drawer:	Date:	Approved:	Date:	
Ewa Nawrocka	17-04-2013	Grzegorz Prytowski	18-04-2013	
Copyright MAKROMOR SP. Z O.O. All rights reserved.				