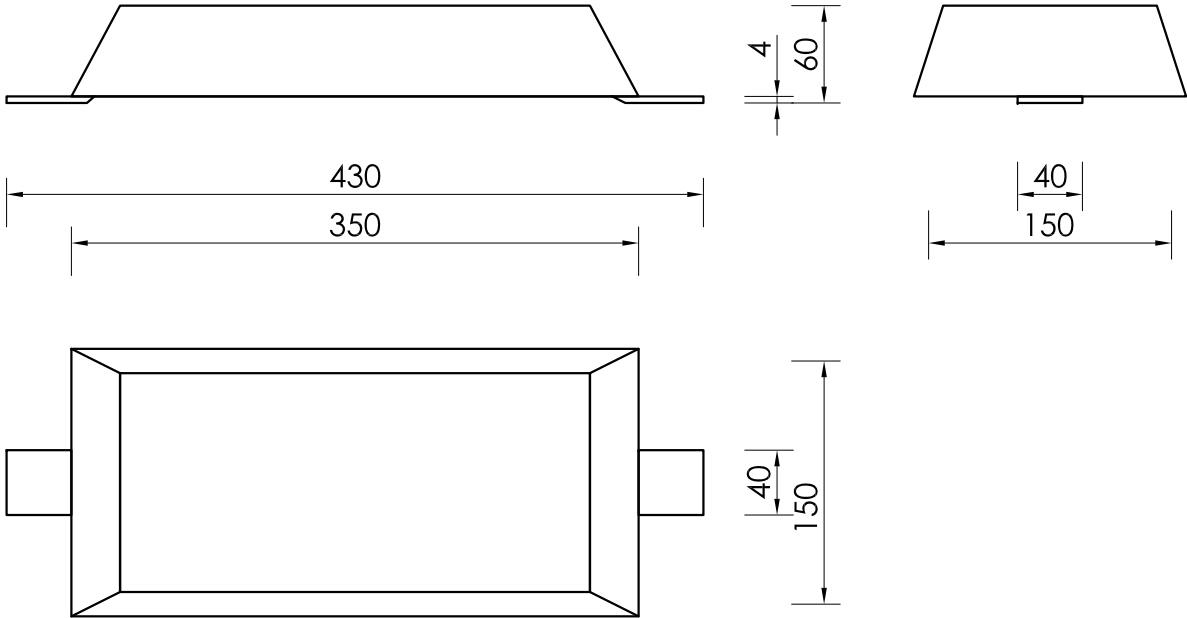


# Aluminium ANODE K6-1

gross weight: 8,00 kg  
 nett weight: 7,50 kg



Technical specification AlZnIn - alloy type A2 according to EN12496:2013 :

Alloying elements:		Impurities:	
Zn [%]:	3,0 - 5,5	Fe [%]:	max 0,09
In [%]:	0,016 - 0,040	Cu [%]:	max 0,005
Al -	balance	Si [%]:	max 0,10

Electrochemical efficiency min: 2500 Ah/kg  
 according to DNV RP B401 test appendix B

- Note:
- All weights and dimensions are nominal.
  - Dimensions in mm

 <b>MAKROMOR</b> CATHODIC PROTECTION	MAKROMOR SP. Z O.O. Ul. Gołębia 15 81-185 Gdynia, POLAND Phone: +48 58 661-57-99 Fax: +48 58 661-01-89 e-mail: biuro@makromor.pl website: www.makromor.pl		Scale:	<b>1:5</b>
			Insert type:	<b>S235JR</b>
			Alloy:	<b>AlZnIn</b>
Type:			Alternative type:	
<b>ALUMINIUM HULL ANODE K6-1</b>				
Product code:			Drawing No.:	
<b>A80/K6/150/60/350/430/0</b>			<b>AK61/0</b>	
Drawer:	Date:	Approved:	Date:	
Ewa Nawrocka	17-04-2013	Grzegorz Prytowski	18-04-2013	
Copyright MAKROMOR SP. Z O.O. All rights reserved.				