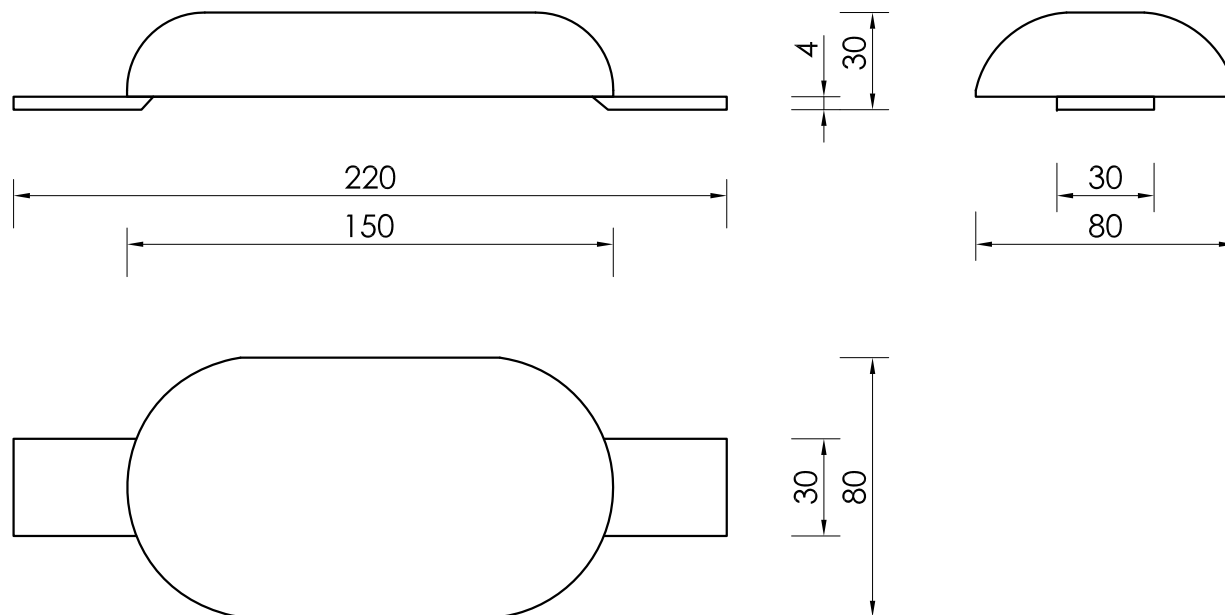


Zinc ANODE K3-2

gross weight: 2,20 kg

nett weight: 1,90 kg



Technical specification ZnAlCd - alloy type Z1 according to EN12496:2013 :

Alloying elements:

Al [%]: 0,10 - 0,50

Cd [%]: 0,025 - 0,07

Zn [%]: remainder

Impurities:

Fe [%]: max 0,005

Cu [%]: max 0,005

Pb [%]: max 0,006

Electrochemical efficiency min: 780 Ah/kg
according to DNV RP B401 test appendix B

Note:

- All weights and dimensions are nominal.

- Dimensions in mm

 MAKROMOR CATHODIC PROTECTION	MAKROMOR SP. Z O.O. Ul. Gołębia 15 81-185 Gdynia, POLAND Phone: +48 58 661-57-99 Fax: +48 58 661-01-89 e-mail: biuro@makromor.pl website: www.makromor.pl	Scale:	1:2,5
		Insert type:	S235JR
		Alloy:	ZnAlCd
Type:	ZINC HULL ANODE K3-2	Alternative type:	
Product code:	Z22/K3/80/30/150/220/0	Drawing No.:	
Drawer:	Ewa Nawrocka	Date:	15-04-2013
Approved:	Grzegorz Pryłowski	Date:	16-04-2013
Copyright MAKROMOR SP. Z O.O. All rights reserved.			